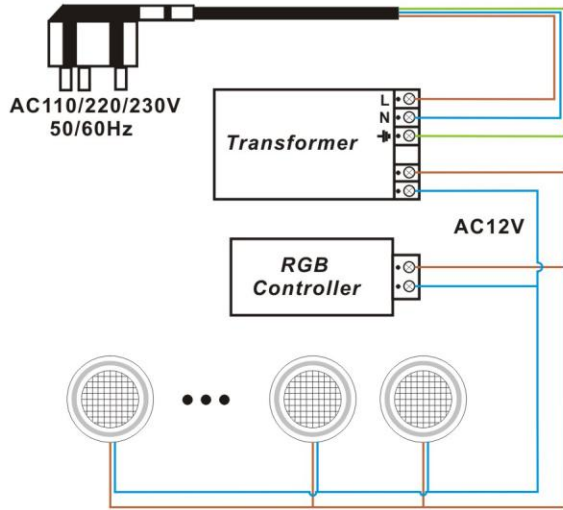


# INSTALLATION INSTRUCTIONS

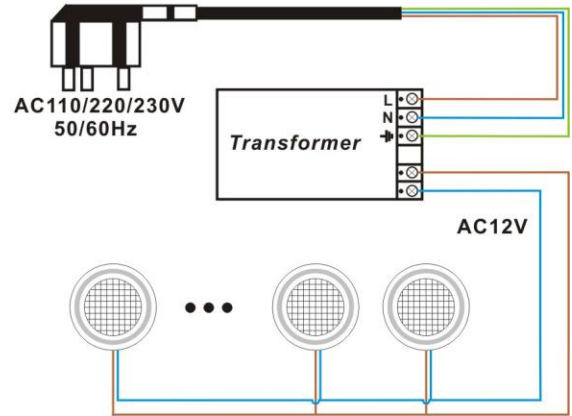
## ■ RGB Remote Controlled Method.

With built-in receiver, lamps change colors by RF controller manually.



## ■ RGB Automatic Method.

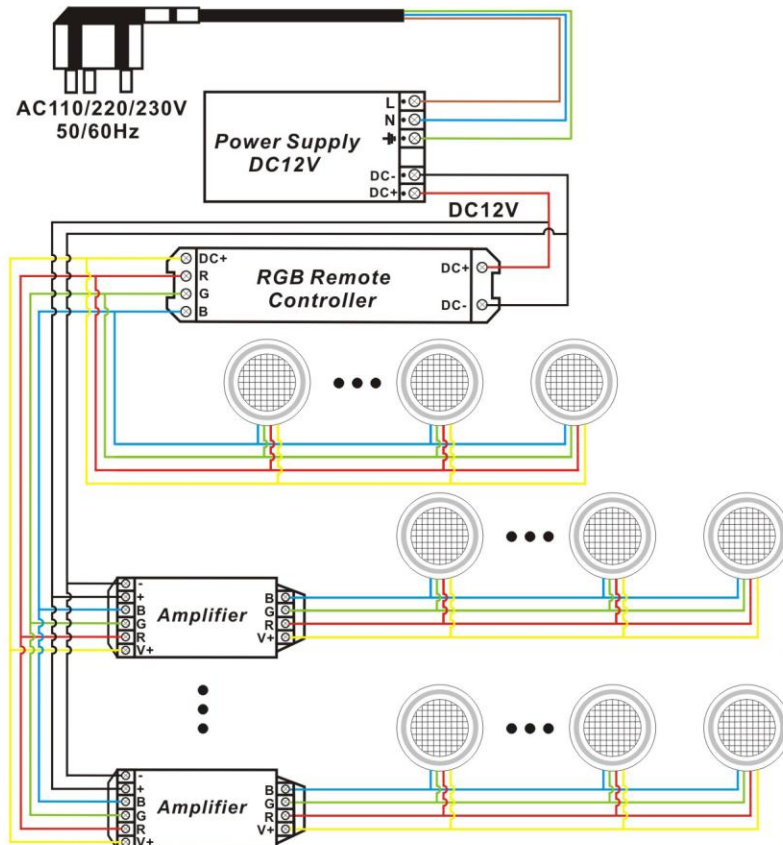
With built-in controller, lamp changes colors automatically.



**Remark** The MAX RGB remote quantity is 30 lamps within the scope of transformer's power.

## ■ External RGB Remote Controlled Method.

With DC12V input, lamps change colors by RF controller manually.



**Remark** The MAX RGB remote quantity should be confirmed with technology team before installation.